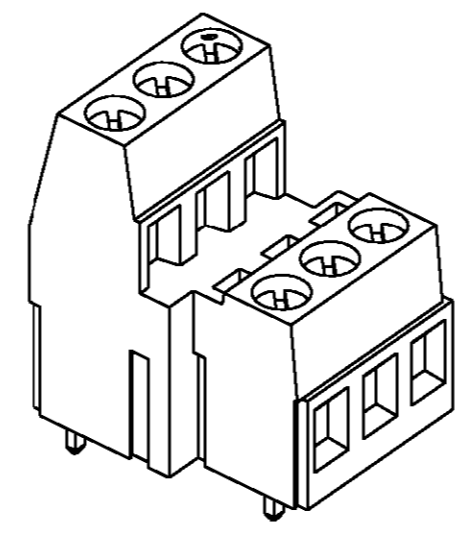
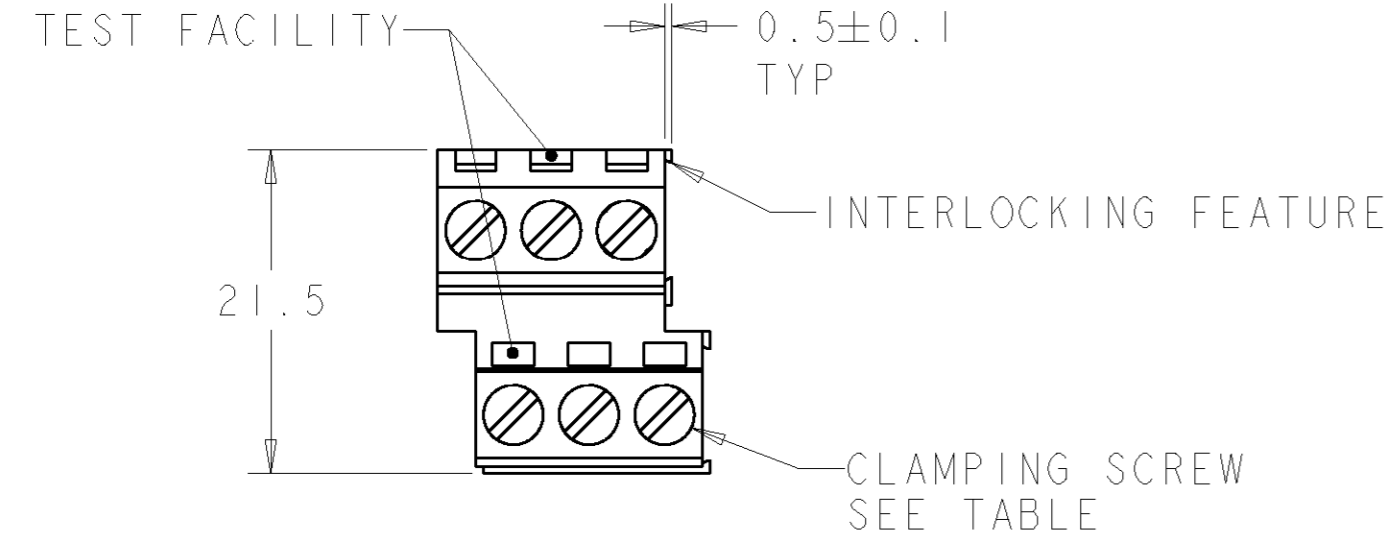


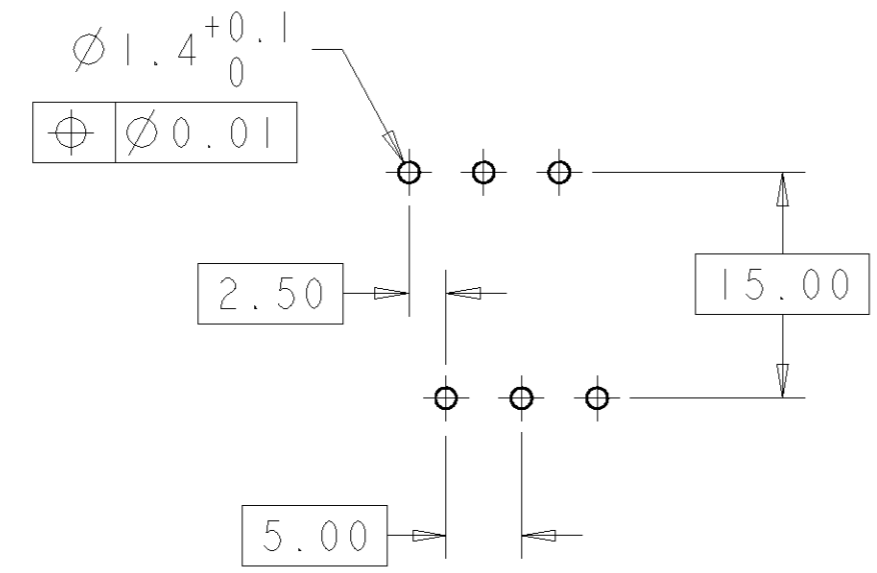
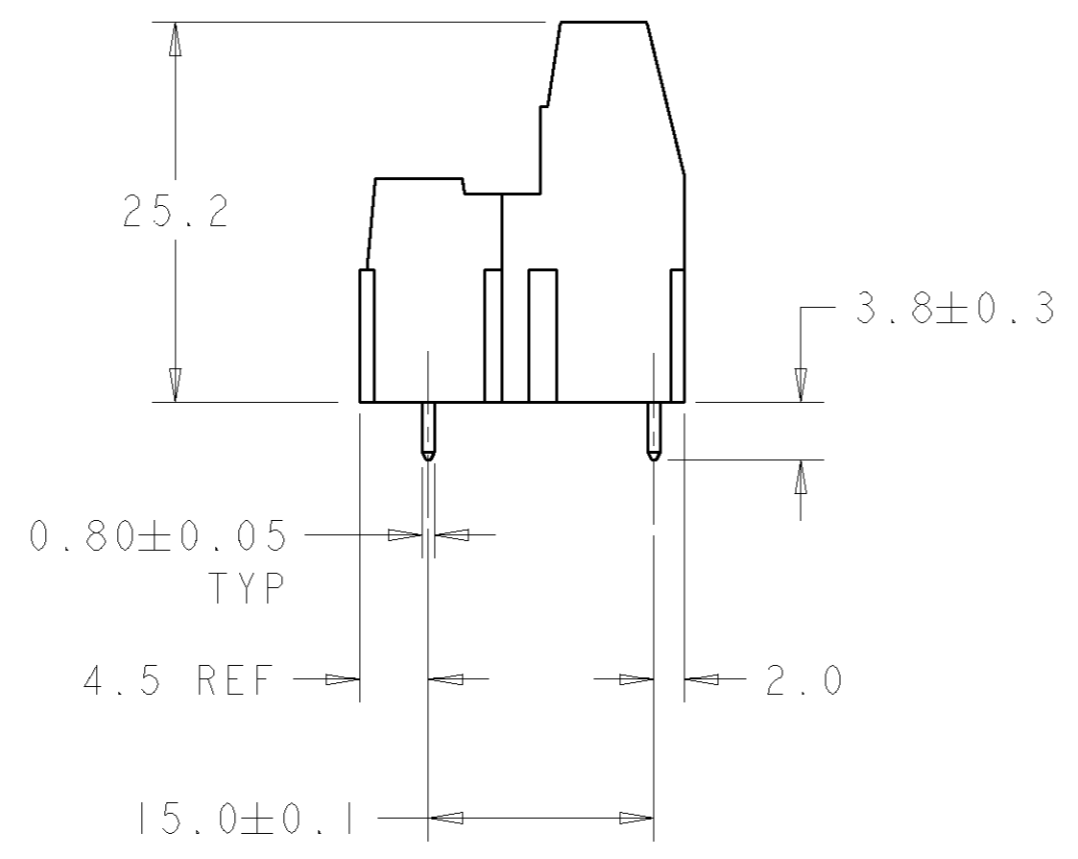
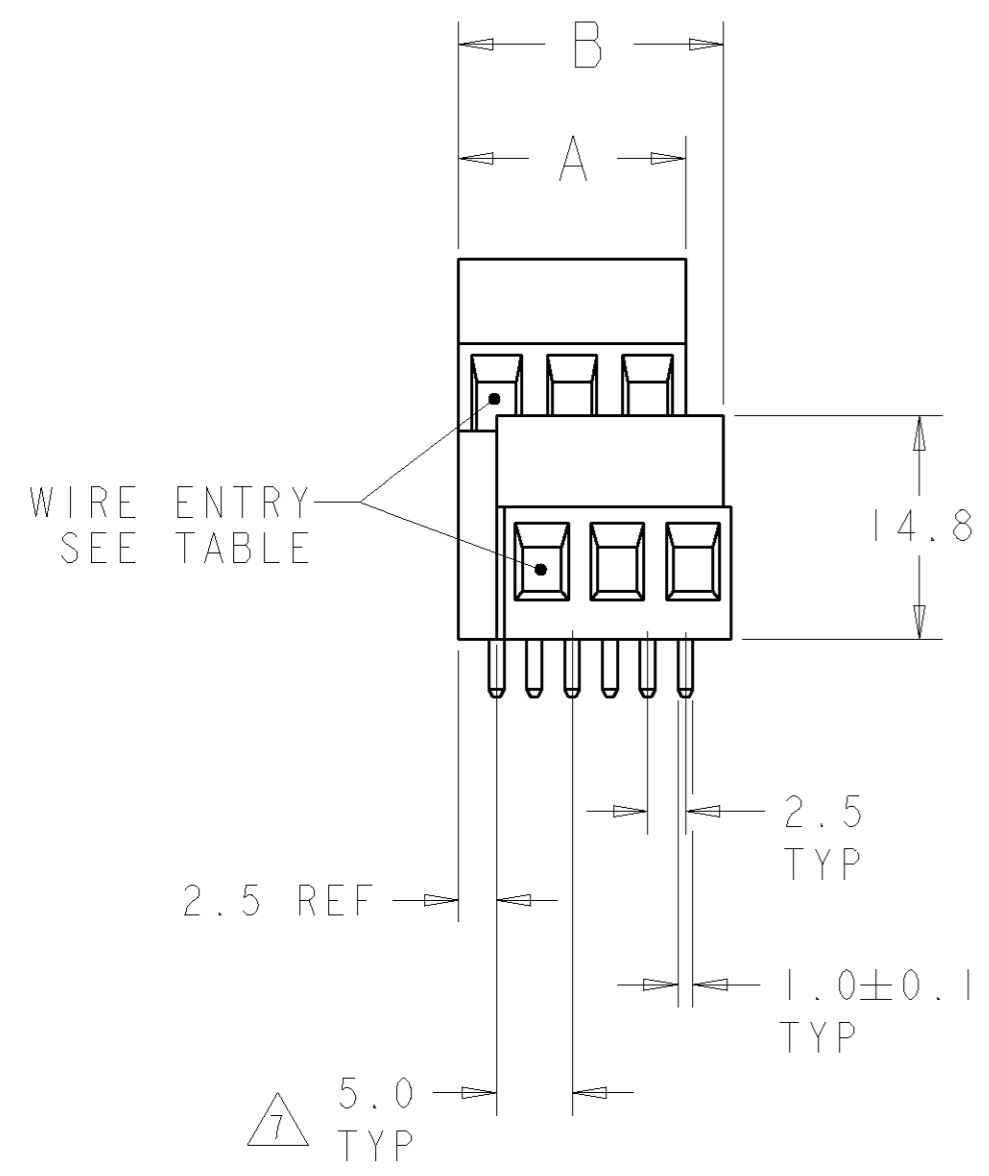
THIS DRAWING IS UNPUBLISHED. RELEASED FOR PUBLICATION 20
 © COPYRIGHT 20 BY TYCO ELECTRONICS CORPORATION. ALL RIGHTS RESERVED.

LOC	DIST	REVISIONS					
FT	0	P	LTR	DESCRIPTION	DATE	DWN	APVD
		A		RELEASED	20FEB2002	SW	DB
		B		REVISED EC 0G3B-0176-02	11JUL2002	JS	CR
		C		REVISED EC 0G3B-0171-02	16JAN2003	SW	CR



796691-3 AS SHOWN

- 1. MATERIALS AND FINISH)
 HOUSING: PA 6-6, UL 94-V0, COLOR: BLUE.
 CLAMP: BRASS, NICKEL PLATED.
 TERMINAL: BRASS, TIN PLATED.
 CLAMPING SCREW: M3, BRASS, NICKEL PLATED.
- 2. SUITABLE FOR 1,6-2,4mm PC BOARD THICKNESS.
- 3. END-TO-END STACKABLE W/INTERLOCK WITHOUT LOSS OF CENTERLINE SPACING.
- 4. WIRE SIZE RANGE: 12-30 AWG.
- 5. RECOGNIZED UNDER THE COMPONENT PROGRAM OF UNDERWRITERS LABORATORIES INC., FILE N° E60677.
- 6. IMQ CERTIFICATE WITH SURVEILLANCE IN CONFORMITY WITH IEC 998-1/998-2-1.
- 7. NOT CUMULATIVE TOLERANCE.)
- 8. 2-796691-1 OBTAINED BY ASSEMBLING (3) 796691-3 AND (1) 796691-2 END TO END.
- 9. BUCHANAN LOGO TO APPEAR ON HOUSING, LOCATION OPTIONAL WHERE SPACE PERMITS.



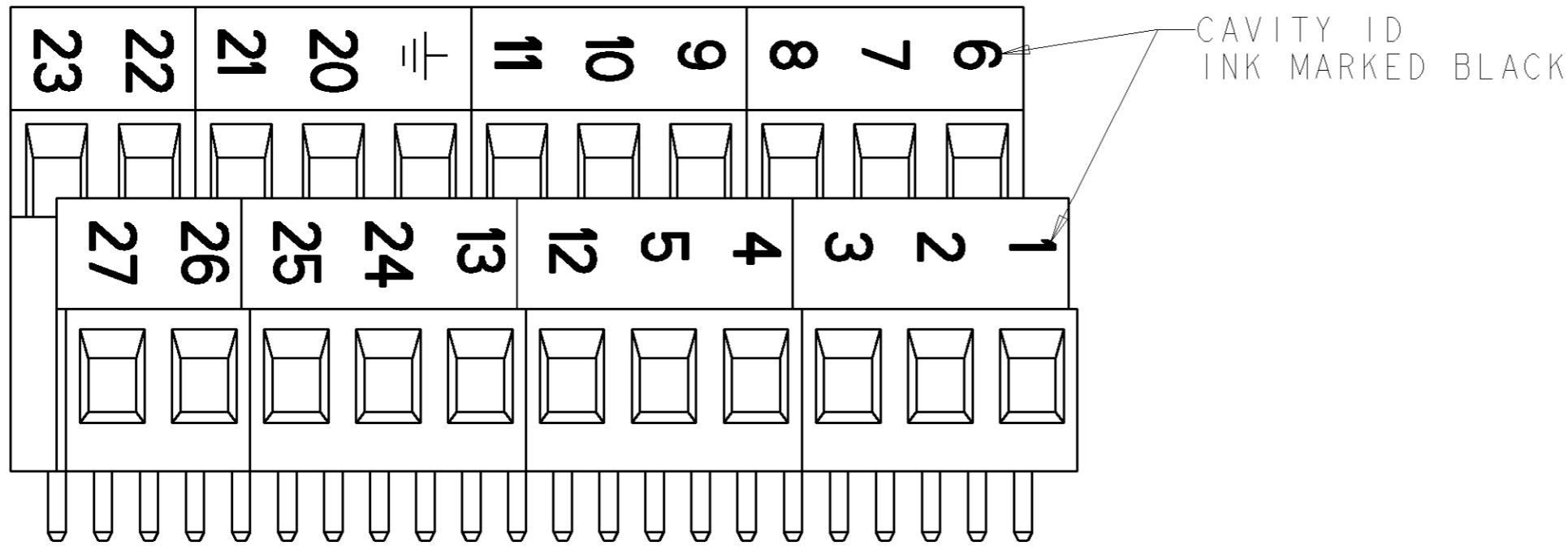
RECOMMENDED PC BOARD LAYOUT

SEE SHEET 2	57.5	55	11	2-796691-1	8
-	62.5	60	12	1-796691-2	
-	57.5	55	11	1-796691-1	
-	52.5	50	10	1-796691-0	
-	47.5	45	9	796691-9	
-	42.5	40	8	796691-8	
-	37.5	35	7	796691-7	
-	32.5	30	6	796691-6	
-	27.5	25	5	796691-5	
-	22.5	20	4	796691-4	
-	17.5	15	3	796691-3	
-	12.5	10	2	796691-2	
MARKING	B	A	NO. OF POSN	PART NUMBER	

THIS DRAWING IS A CONTROLLED DOCUMENT FOR TYCO ELECTRONICS CORPORATION IT IS SUBJECT TO CHANGE AND THE CONTROLLING ENGINEERING ORGANIZATION SHOULD BE CONTACTED FOR THE LATEST REVISION.		DWN S. WELDON 19FEB2001	BUCHANAN Tyco Electronics Harrisburg, PA 17105-3608	
DIMENSIONS: mm		CHK D. BIEVENOUR 19FEB2001		
TOLERANCES UNLESS OTHERWISE SPECIFIED:		APVD D. BIEVENOUR 19FEB2001	NAME	
0 PLC ±.3		PRODUCT SPEC	TERMINAL BLOCK, PCB MOUNT	
1 PLC ±.3		APPLICATION SPEC	1ST AND 2ND LEVEL, STACKING	
2 PLC ±.25		WEIGHT	SIZE A2	CAGE CODE 00779
3 PLC ±.25		CUSTOMER DRAWING	DRAWING NO G-796691	RESTRICTED TO
4 PLC ±.		SCALE 2:1	SHEET 1 OF 2	REV C
ANGLES ±2				
FINISH				

THIS DRAWING IS UNPUBLISHED. RELEASED FOR PUBLICATION 20
 © COPYRIGHT 20 BY TYCO ELECTRONICS CORPORATION. ALL RIGHTS RESERVED.

LOC	DIST	REVISIONS					
FT	0	P	LTR	DESCRIPTION	DATE	DWN	APVD
		-		SEE SHEET 1	-	-	-



2-796691-1 AS SHOWN
 SCALE 3:1

<small>THIS DRAWING IS A CONTROLLED DOCUMENT FOR TYCO ELECTRONICS CORPORATION IT IS SUBJECT TO CHANGE AND THE CONTROLLING ENGINEERING ORGANIZATION SHOULD BE CONTACTED FOR THE LATEST REVISION.</small>		DWN S. WELDON 01NOV2000 CHK D. BIEVENOUR 01NOV2000 APVD D. BIEVENOUR 01NOV2000	BUCHANAN Tyco Electronics Harrisburg, PA 17105-3608
DIMENSIONS: mm	TOLERANCES UNLESS OTHERWISE SPECIFIED: 0 PLC ± 1 PLC ±.3 2 PLC ±.25 3 PLC ± 4 PLC ± ANGLES ±2 FINISH -	PRODUCT SPEC - APPLICATION SPEC - WEIGHT -	NAME TERMINAL BLOCK, PCB MOUNT 1ST AND 2ND LEVEL, STACKING W/INTERLOCK, 5.00mm PITCH
MATERIAL -		CUSTOMER DRAWING	SIZE A2 CAGE CODE 00779 DRAWING NO. 796691 RESTRICTED TO - SCALE 2:1 SHEET 2 OF 2 REV A